

## Flying frame for window panes (according to Dr. Schley)

It has often been recommended to allow the queen bees to fly to the window pane before insemination. The stimulation is more intensive than in a flying cage on the table.

A simple flying frame which is attached to the window pane with suction cups and which gets a pane border around the outside does a good job. The queen bees go for the light, remain at the window pane and cannot get lost flying. They very often defecate on the window pane. Queen bees which do not get a firm grip and fall down the pane are caught by the border.

Such a border used in addition to the flying cage is very useful and has proven itself in practice.

The dimensions can be individually chosen. My sample has the dimensions: 600 x 600 mm with a depth of 60mm. The circumferential Plexiglas border has a width of 80 mm. The attachment of a sunblind facing the room is not required. The flying frame can be put together by anyone on his/her own. Details can be seen in the diagram.

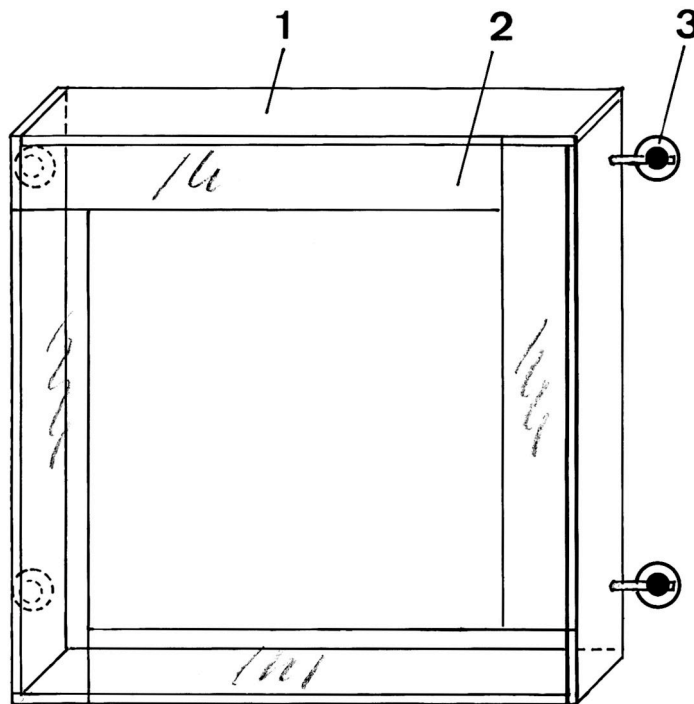


Fig. 1: Flying frame for the attachment to a window pane

- 1) 4 pcs. of plywood slats 600 x 60 x 12 mm  
Nail together all around
- 2) 4 pcs. of acrylic glass panes 530 x 80 x 4 mm  
Nail on all around or screw on, drill the holes large enough.  
Tape over the corner joints with adhesive tape.
- 3) 4 rubber suction cups  $\varnothing$  40–50 mm

